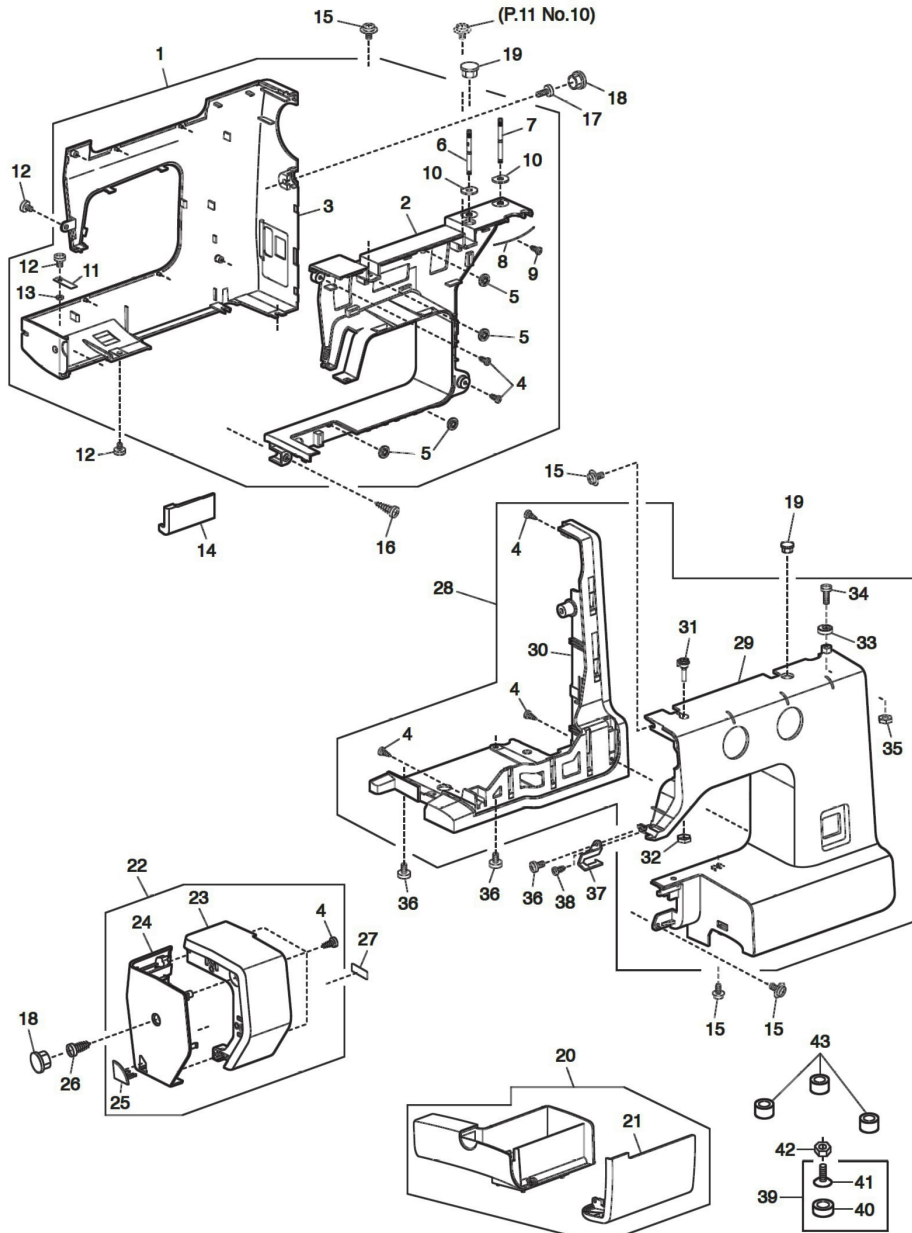




## Spare Parts

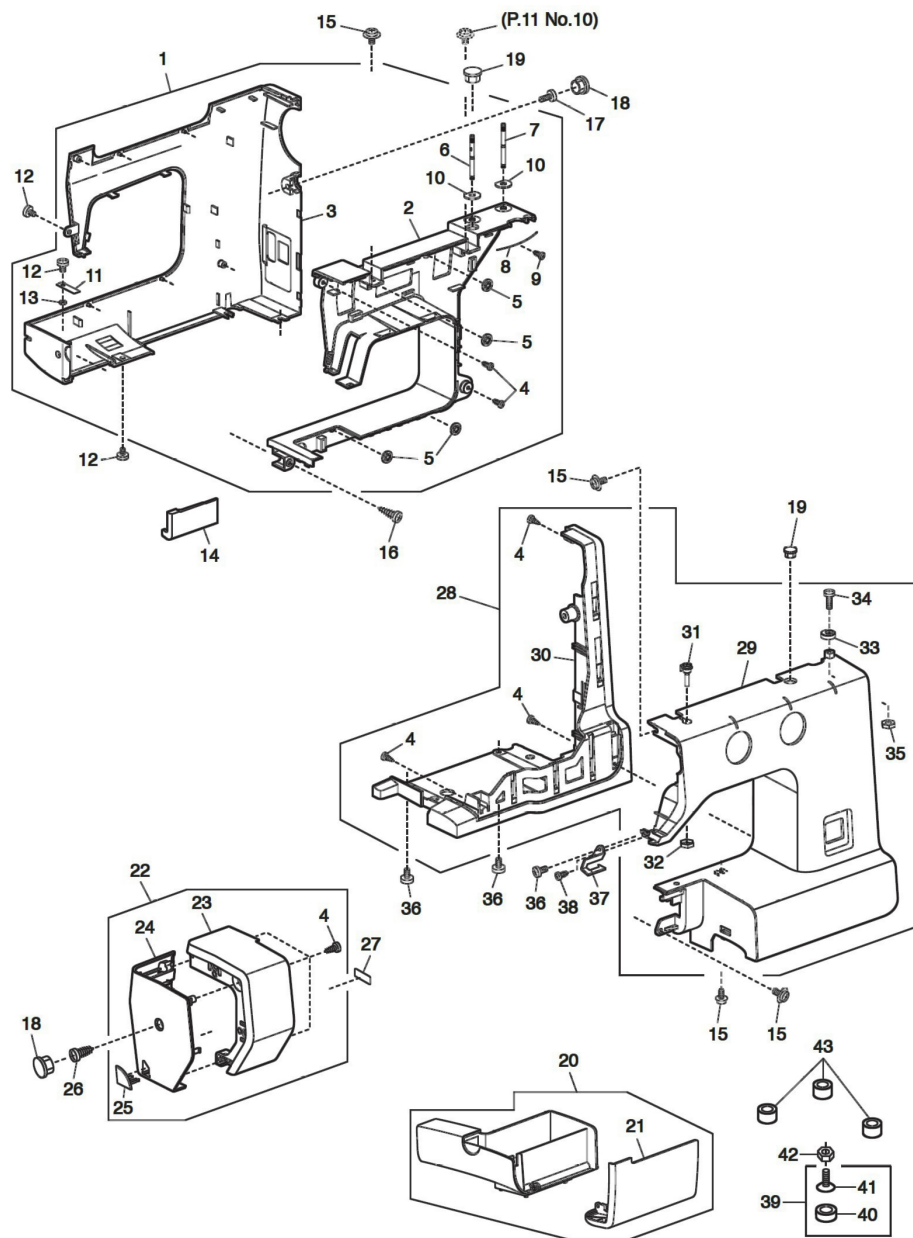
**b33**



Pos	Item number	Description	Supplier Part no.
1	5020601010	REAR COVER (UNIT)	311615007
2	5020600985	REAR COVER 1	311033005
3	5020600986	REAR COVER 2	311034006
4	5020600155	SETSCREW 3 X 8	000120203
5	5020600196	SNAP RING cs-3	000014306
6	5020601069	SPOOL PIN (HOLE)	652302004
7	5020601068	SPOOL PIN (NO HOLE)	652205006
8	5020601128	SPOOL PIN SPRING	736007009
9	5020600944	SETSCREW 3X10 (B)	000161206
10	5020601092	SPOOL PIN SPRING BASE	735013005
11	5020601080	SPRING	730006000
12	5020600205	SET SCREW 4x6	000101404
13	5020600143	NUT	000061205
14	5020600987	BED COVER PLATE	311035007
15	5020600153	SETSCREW 4 X 6	000115205
16	000121905	SET SCREW 4 X 12	
17	5020600207	SET SCREW 4x12	000101703
18	5020601167	CAP	745033068
19	5020601166	CAP	745033057
20	5020601014	EXTENSION TABLE (UNIT)	311618000
21	5020600988	EXTENSION TABLE LID	311038A01
22	5020601011	FACE COVER (UNIT)	311616008
23	5020600989	FACE COVER 1	311039A01
24	5020600990	FACE COVER 2	311040A01
25	5020601341	THREAD CUTTER (UNIT)	854501100
26	5020600949	SETSCREW 4X12-2V	000272005
27	5020601323	CAUTION STICKER	100970003
28	5020601012	FRONT COVER (UNIT)	311617009
29	5020600998	FRONT COVER 1	311047A01
30	5020601000	FRONT COVER 2	311048003
31	5020601083	THREAD GUIDE PLATE (UNIT)	730501011
32	5020600942	ADJUSTABLE LOCK NUT 4	000160102
33	5020601093	BOBBIN WINDER STOPPER	735016400
34	5020600924	SETSCREW 4X14	000103107

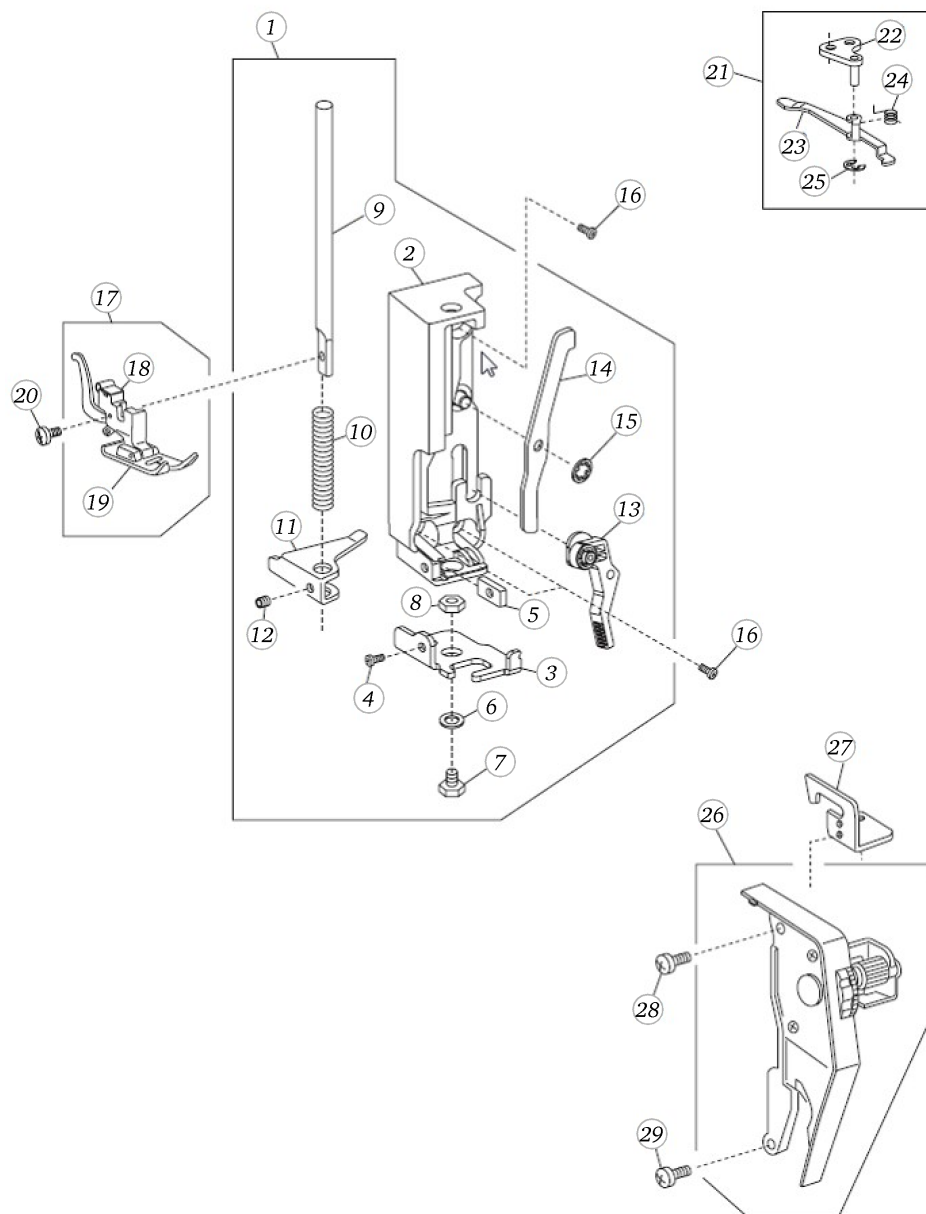
b33

## Covers



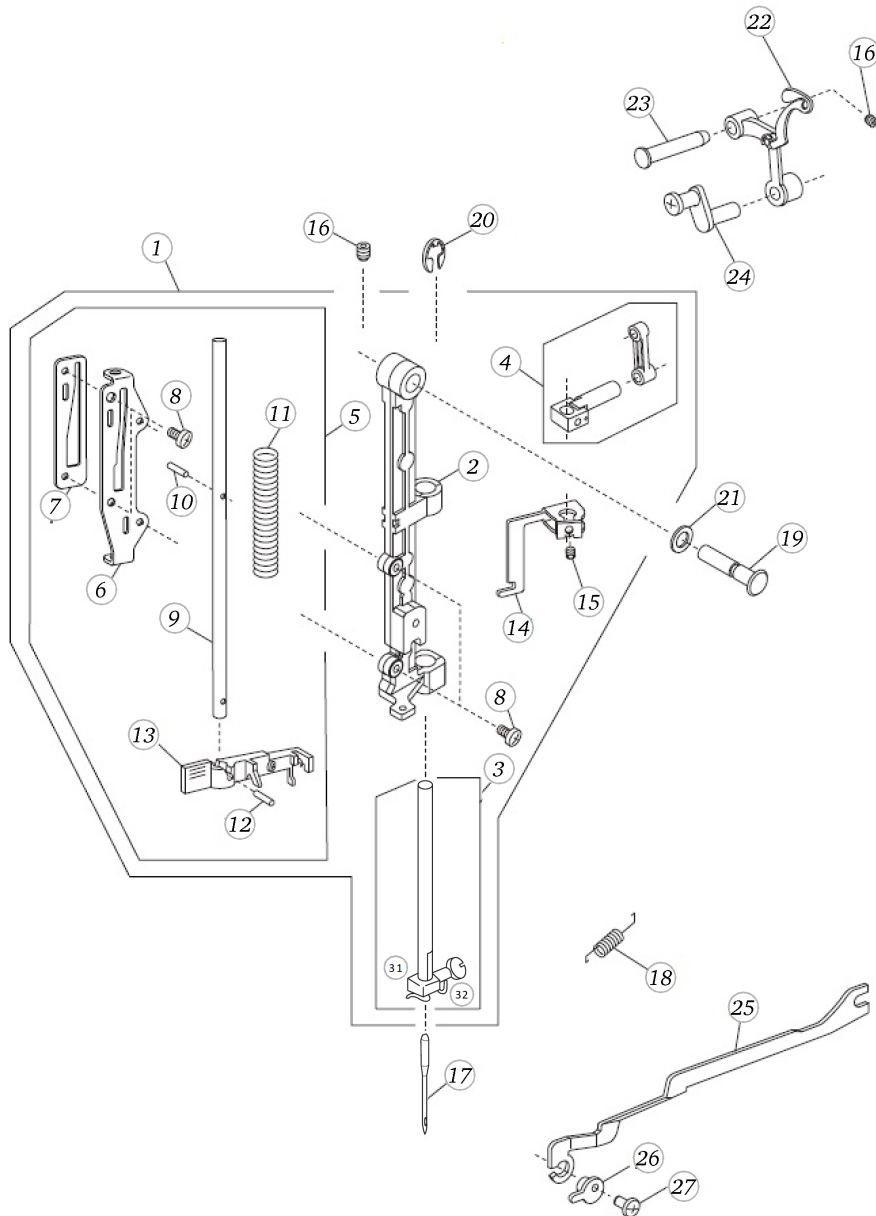
Pos	Item number	Description	Supplier Part no.
35	5020600143	NUT	000061205
36	5020600146	SET SCREW 4 X 8	000081005
37	5020601165	THREAD GUIDE PLATE	745031000
38	5020600925	SETSCREW 3X8 (B)	000107307
39	5020601126	RUBBER BASE (UNIT)	735616200
40	5020601091	RUBBER BASE	735002001
41	5020600922	SETSCREW 5X18	000097901
42	5020600911	NUT 5-1-8	000061319
43	5020601138	BED RUBBER CUSHION	739064003

# Presser foot bar



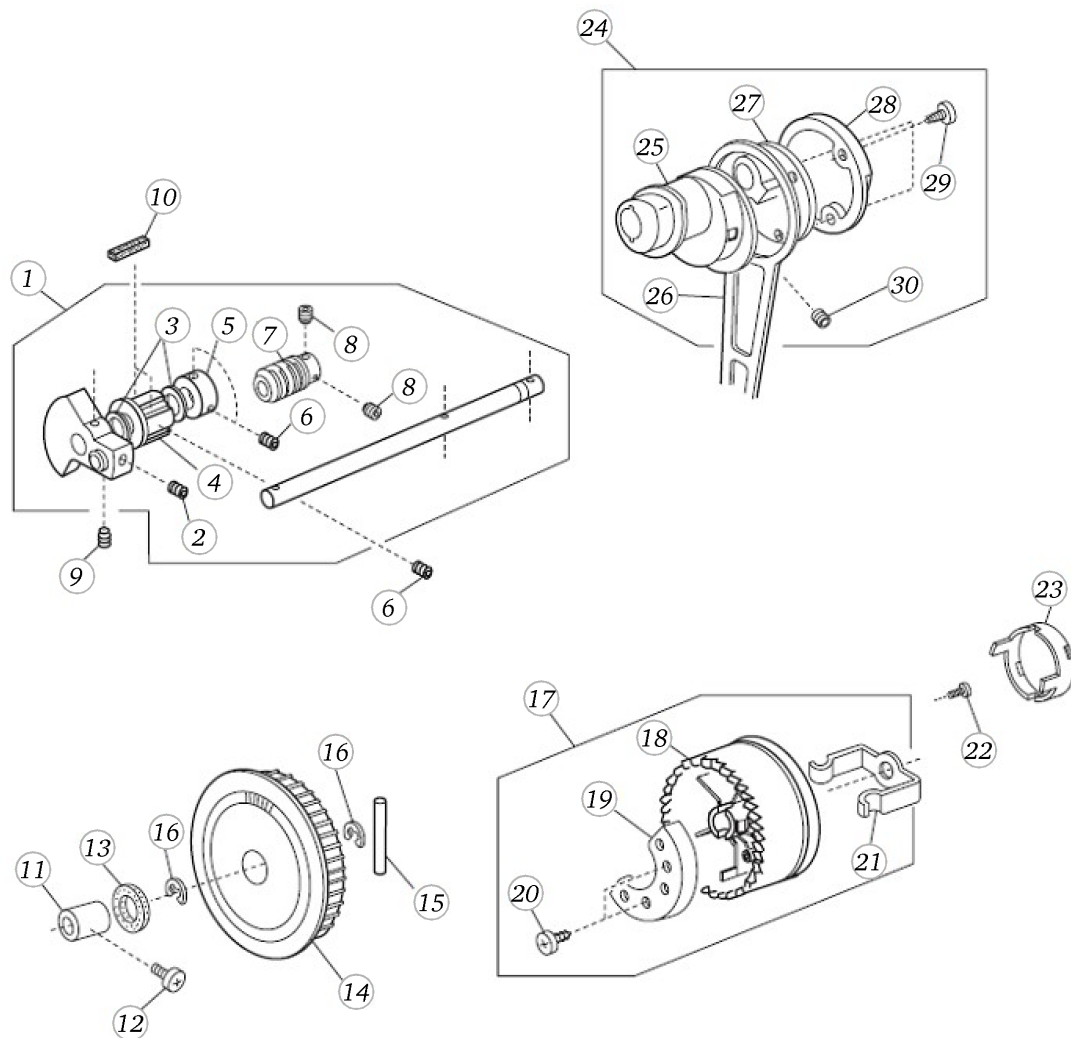
Pos	Item number	Description	Supplier Part no.
1	5020601005	PRESSER BAR BASE PLATE	311605107
2	5020600976	PRESSER BAR BASE PLATE	311009002
3	5020600983	NEEDLE DROP ADJUSTING PLATE	311031003
4	5020600222	SET SCREW 3x8	000115009
5	5020600979	NUT	311023002
6	5020600914	WASHER 4	000070506
7	5020600941	BOLT 4X10	000138606
8	5020600912	NUT 4-2-7	000062402
9	5020600961	PRESSER BAR	303017101
10	5020601095	PRESSER BAR SPRING	735027002
11	5020601096	PRESSER BAR BRACKET	735028003
12	5020600219	HEXAGON SOCKET SCREW 4x8	000111500
13	5020600977	PRESSER FOOT LIFTER	311010006
14	5020601098	TENSION RELEASE LEVER	735030008
15	5020600195	SNAP RING cs-5	000013903
16	5020600146	SET SCREW 4 X 8	000081005
17	5020600960	PRESSER FOOT (UNIT)	301612003
18	5020601048	PRESSER FOOT HOLDER (UNIT)	611510000
19	5020601408	Zigzag foot packed	202332006
20	5020601071	SETSCREW	660106001
21	5020600970	TENSION-RELEASE-ARM (UNIT)	304640000
22	5020601133	TENSION RELEASE ARM BASE	739017001
23	5020600965	TENSION-RELEASE-ARM	304045008
24	5020601134	TENSION RELEASE SPRING	739019003
25	000002105	SNAP RING E3	
26	5020601003	TENSION ASSEMBLY (UNIT)	311505003
27	5020601132	TOP COVER THREAD GUIDE	739016000
28	5020600213	SET SCREW 3x5	000103808
29	5020600207	SET SCREW 4x12	000101703

## Needle bar connecting arm



Pos	Item number	Description	Supplier Part no.
1	5020601458	Needle bar supporter unit	743678205
2	5020601449	NEEDLE BAR SUPPORTER	743246004
3	5020601459	Needle bar unit	311622007
4	5020601001	NEEDLE BAR CONNECTIN	311502000
5	5020601008	NEEDLE THREADER GUIDE PLATE (UNIT)	311611106
6	5020600980	NEEDLE THREADER GUIDE PLATE	311027006
7	5020600984	NEEDLE THREADER SHAFT PLATE	311032004
8	5020600147	SETSCREW 3 X 4	000101105
9	5020600957	NEEDLE THREADER SHAFT	301034005
10	5020600937	GUIDE PIN E-2X14-CH	000122906
11	5020601089	NEEDLE THREADER SHAFT SPRING	734094007
12	5020600193	SPRING PIN 2x8	000003508
13	5020601058	NEEDLE THREADER PLATE (UNIT)	639643009
14	5020600981	NEEDLE THREADER SET PLATE	311028007
15	5020600929	HEXAGONAL SOCKET SCREW 3X4	000111902
16	5020600218	HEXAGON SOCKET SCREW 5x5	000111304
17	5020600955	NEEDLE	102408089
18	5020601159	NEEDLE BAR SUPPORTER SPRING	743216005
19	5020601450	Needle supporter in	730022002
20	5020600138	SNAP RING E-4	000002507
21	5020601076	SPRING WASHER	673022002
22	5020601049	THREAD TAKE-UP LEVER (UNIT)	625506109
23	5020601061	THREAD TAKE-UP LEVER SUPPORTER PIN	647040108
24	5020601123	NEEDLE BAR CRANK (UNIT)	735504008
25	5020601116	ZIGZAG ROD	735119002
26	5020600975	ECCENTRIC PLATE	310041003
27	5020600222	SET SCREW 3x8	000115009
31	5020601467	Needle clamp	801506008
32	5020601495	Needle holder thread guide	680043012

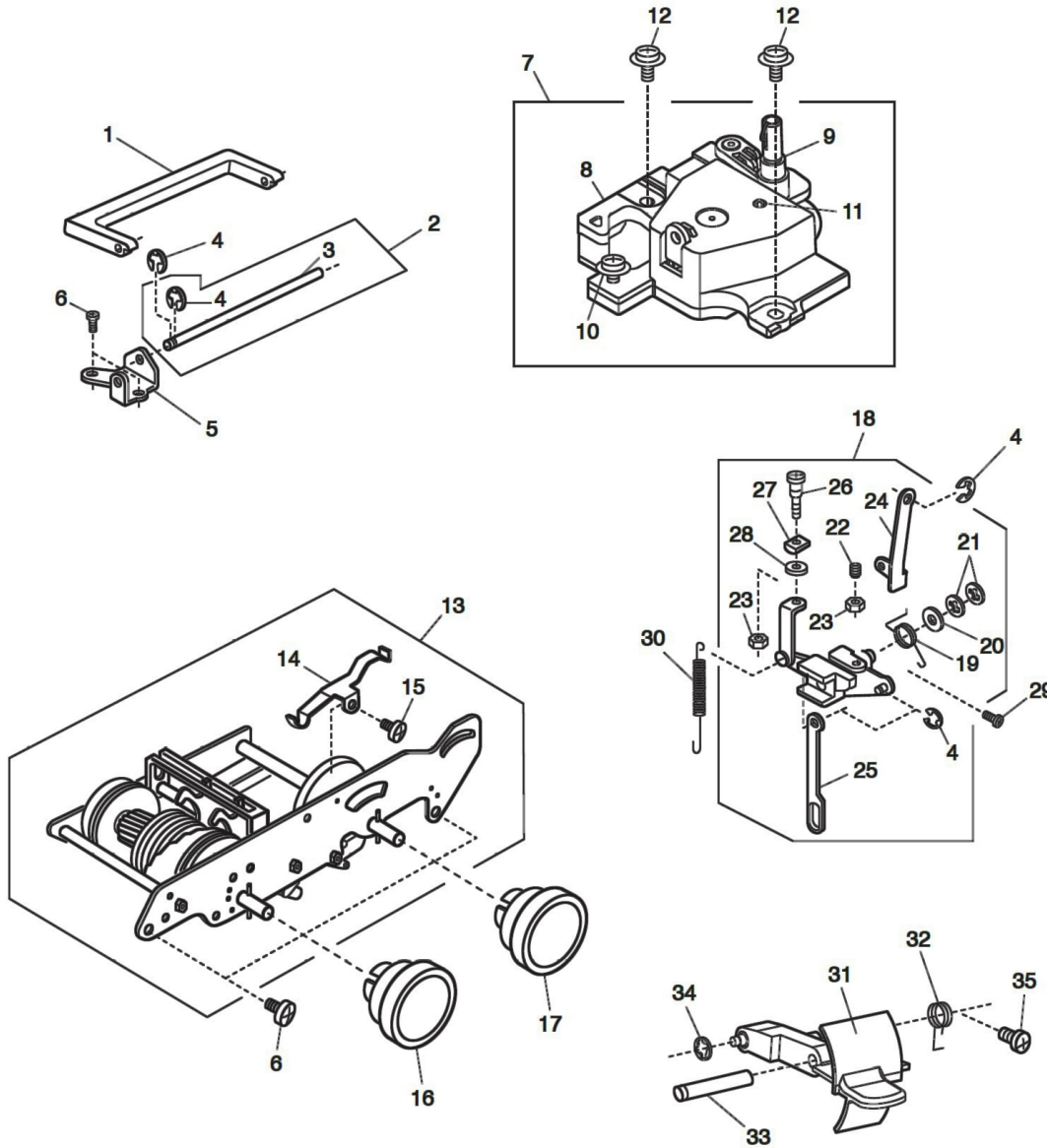
## Upper shaft



Pos	Item number	Description	Supplier Part no.
1	5020600968	UPPER SHAFT (UNIT)	304607406
2	5020600952	SETSCREW	402073003
2	5020601502	Screw 5x8	000111706
3	5020600909	THRUST WASHER	000036717
4	5020601087	UPPER SHAFT FRONT BUSHING	732025001
5	639095000	UPPER SHAFT RING	
6	5020600218	HEXAGON SOCKET SCREW 5x5	000111304
7	5020601170	WORM	755108000
8	5020600217	HEXAGON SOCKET SCREW 4x4	000111201
9	5020601176	SETSCREW	761052007
9	5020601503	Screw 5x4	000110901
10	5020601085	FELT	731312005
11	5020601086	UPPER SHAFT REAR BUSHING	732003003
12	5020600946	SETSCREW 5X8	000172602
13	5020601157	FELT	743029009
14	5020601156	BELT WHEEL	743019006
15	5020600906	SPRING PIN 4X40	000023803
16	5020600141	SNAP RING 8	000030205
17	5020601015	HANDWHEEL (UNIT)	311619001
18	5020600992	HANDWHEEL	311043008
19	5020600966	BALANCE WEIGHT	304050006
20	5020600151	SETSCREW 3 X 10	000107802
21	5020601056	CLUTCH SPRING	639113016
22	5020600146	SET SCREW 4 X 8	000081005
23	5020601057	CLUTCH CAP	639179308
24	5020600969	CRANK ROD (UNIT)	304609006
25	5020600962	FEED CAM	304042005
26	5020601153	CRANK ROD	743011008
27	5020600964	CRANK CAM	304044007
28	5020600963	CRANK CAM PLATE	304043006
29	5020600226	SET SCREW 3x12	000161309
30	5020600927	HEXAGONAL SOCKET SCREW 5X5 (WP)	000110107
31	5020600930	HEXAGONAL SOCKET SCREW 4X4	000112501



# Feed regulation

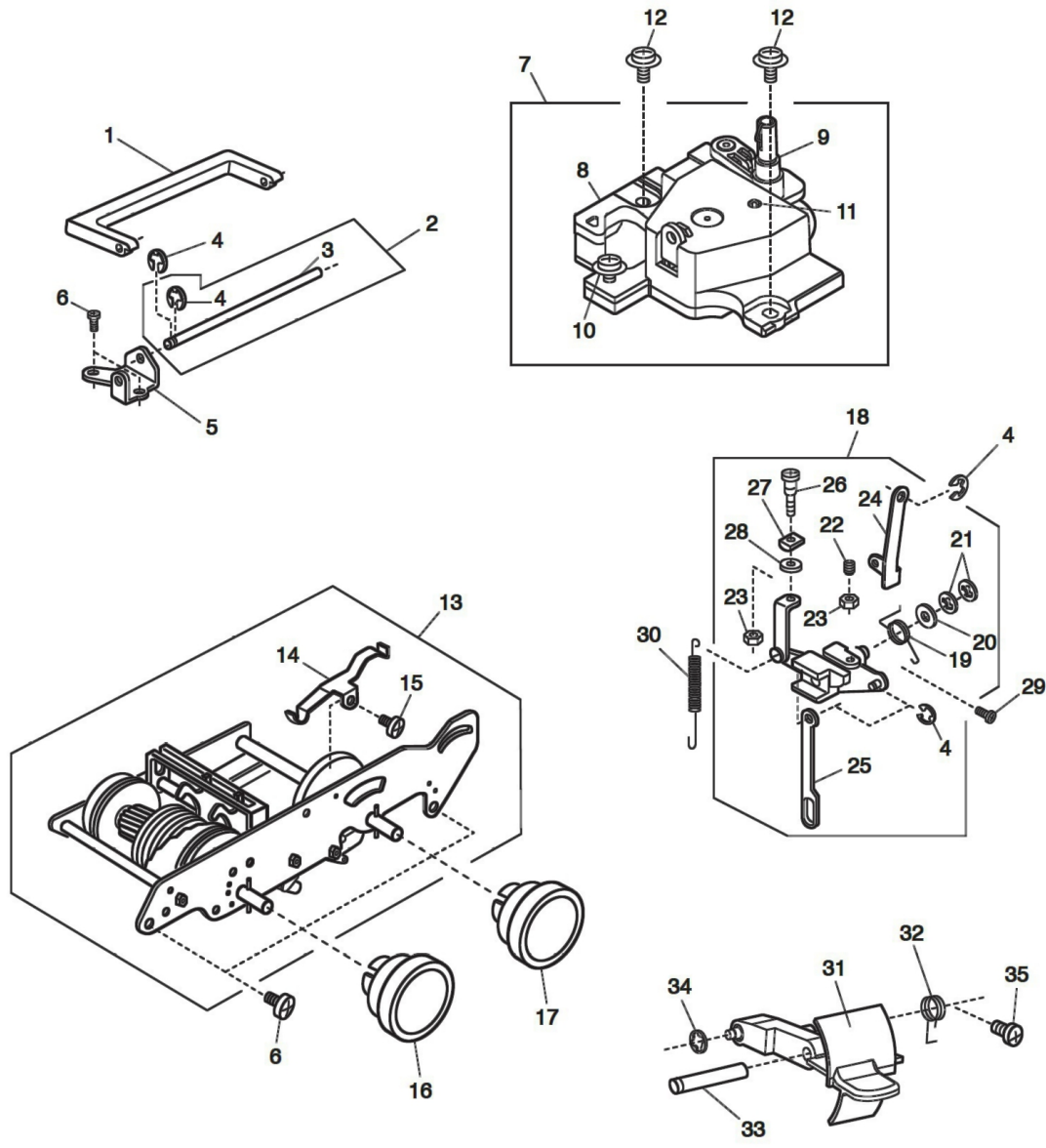


Pos	Item number	Description	Supplier Part no.
1	5020600991	HANDLE	311042007
2	5020601150	CARRYING HANDLE SET PIN (UNIT	740624001
3	5020601141	HANDLE SHAFT	740011009
4	000002105	SNAP RING E3	
5	5020601140	HANDLE SUPPORTER	740010008
6	5020600146	SET SCREW 4 X 8	000081005
7	5020601006	BOBBIN WINDER SUPPORTER (UNIT)	311606005
8	5020600978	BOBBIN WINDER BASE PLATE	311041007
8	5020601504	Bobbin winder base plate	311627002
9	5020601002	BOBBIN WINDER ARM (UNIT)	311503001
10	5020600926	SETSCREW 4X12	000109103
11	5020601143	BOBBIN WINDER ARM SPRING	740042009
12	5020600154	SETSCREW TP 4 X 8	000115607
13	5020601168	ZIGZAG MECHANISM (UNIT)	745606105
14	5020601130	INDEX SPRING	737011009
15	5020600213	SET SCREW 3x5	000103808
16	5020600995	PATTERN SELECTOR DIAL	311046A01
17	5020600994	STITCH LENGTH DIAL	311045A01
18	5020601004	FEED-REGULATOR (UNIT)	311604003
18	5020601505	Feed regulator (unit)	311604302
19	5020601104	FEED REGULATING BODY SPRING	735077007
20	5020601101	PLAIN WASHER	735073003
21	5020600900	SNAP RING CS-6	000013800
22	5020601066	SETSCREW	648010009
23	5020600942	ADJUSTABLE LOCK NUT 4	000160102
24	5020601135	FEED REGULATING ROD	739020007
25	5020601081	REVERSE LINK	730045001
26	5020601102	SS ADJUSTING SCREW	735074004
27	5020601103	SS ROD BLOCK	735076006
28	5020600202	WASHER	000071013
29	5020600946	SETSCREW 5X8	000172602
30	5020601075	FEED REGULATOR SPRING	670100006
31	5020600993	R BUTTON	311044009
32	5020601137	R BUTTON SPRING	739063002

b33

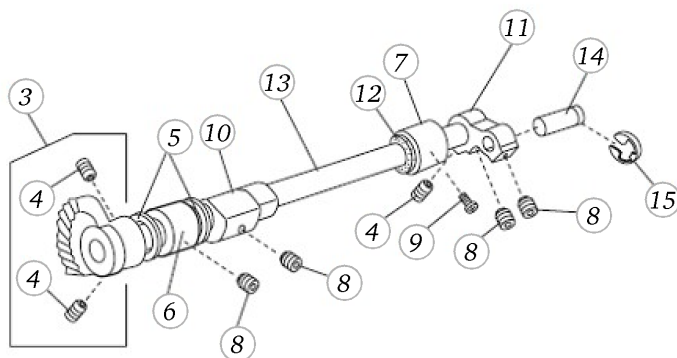
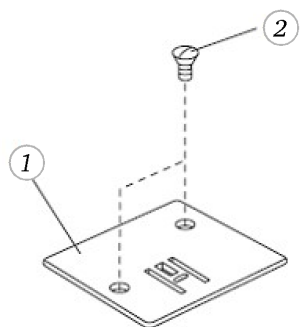
## Feed regulation

Pos	Item number	Description	Supplier Part no.
33	5020601129	R BUTTON SHAFT	736015000
34	5020600901	SNAP RING CS-4	000014007
35	5020600923	SETSCREW 5X10	000101301



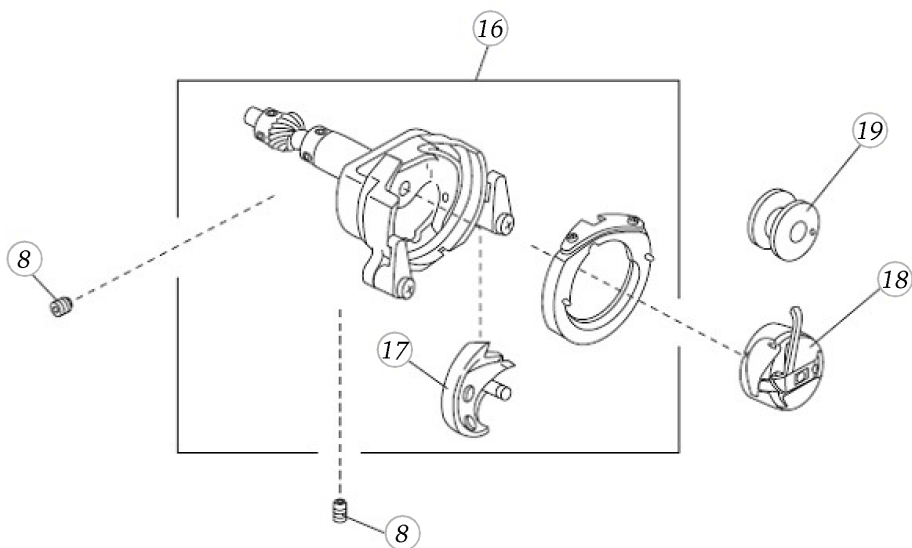


# b33

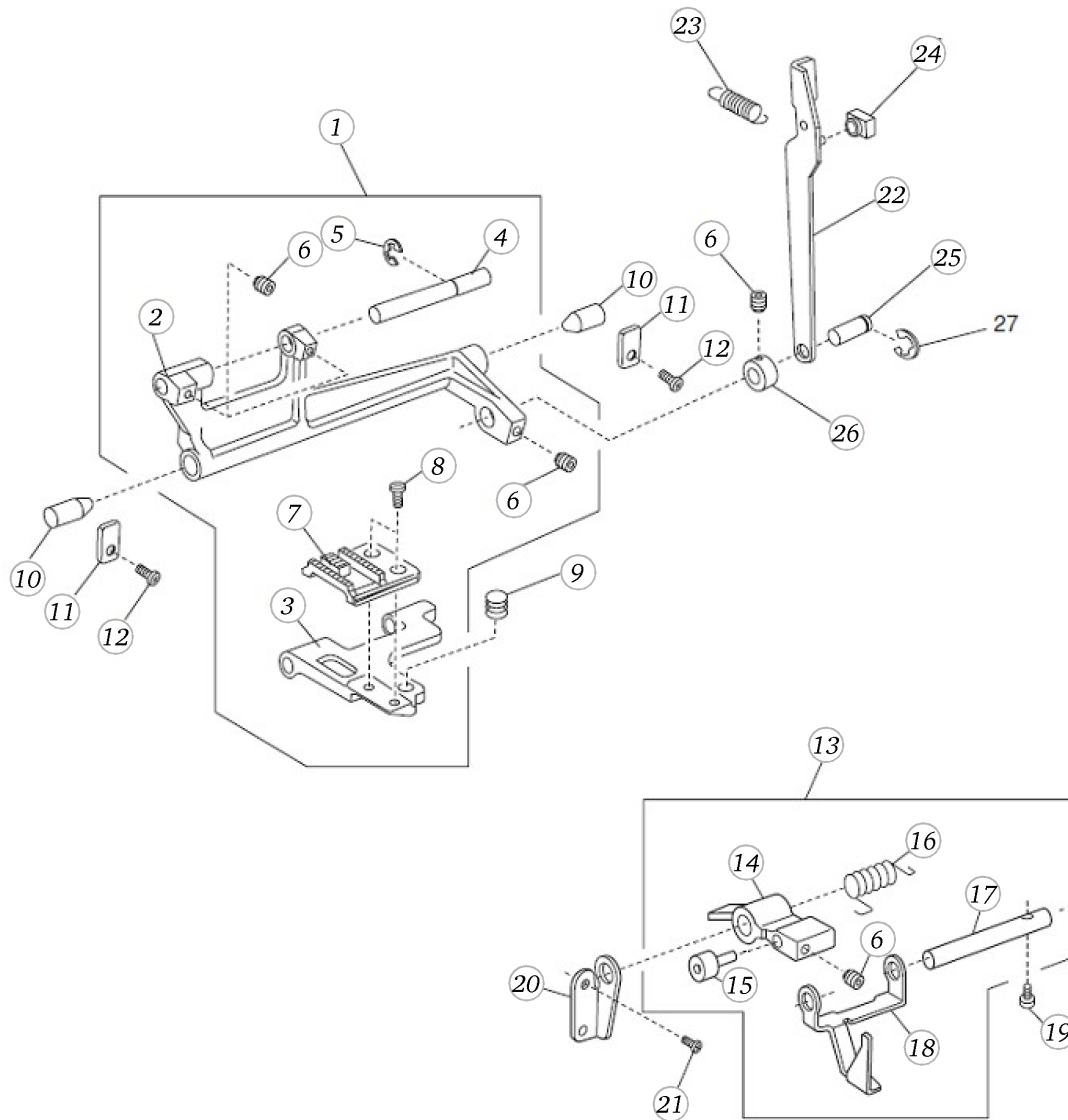


## Lower shaft

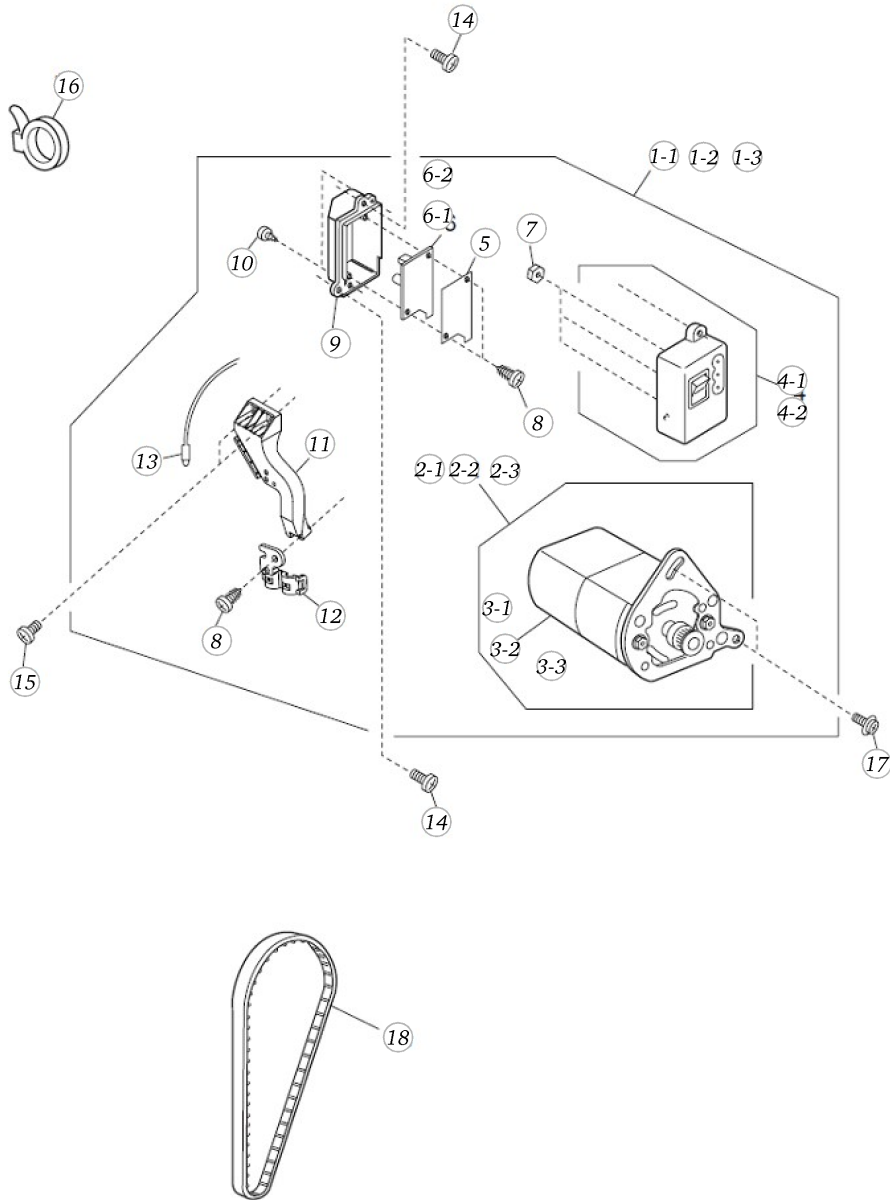
Pos	Item number	Description	Supplier Part no.
1	5020601164	NEEDLE PLATE	744004001
2	5020601078	SETSCREW	681009101
3	5020601127	LOWER SHAFT GEAR (UNIT)	735950003
4	5020600927	HEXAGONAL SOCKET SCREW 5X5 (WP)	000110107
5	5020600142	THRUST WASHER	000036201
6	5020601118	BUSHING (FRONT)	735233003
7	5020601119	BUSHING (REAR)	735234004
8	5020600218	HEXAGON SOCKET SCREW 5x5	000111304
9	5020600946	SETSCREW 5X8	000172602
10	5020601099	FEED LIFTING CAM	735061101
11	5020601053	LOWER SHAFT CRANK ARM	639036003
12	5020600175	FELT	822070003
13	5020601120	LOWER SHAFT	735236006
14	5020601054	PIN	639037004
15	5020600192	SNAP RING 5	000002507
16	5020601124	SHUTTLE RACE BODY (UNIT)	735610101
17	5020601046	SHUTTLE HOOK	532096007
18	5020601063	BOBBIN CASE (UNIT)	647515006
19	5020600954	BOBBIN	102261000



# Feed dog unit



Pos	Item number	Description	Supplier Part no.
1	5020601125	FEED ROCK SHAFT (UNIT)	735612000
2	5020601105	FEED ROCK SHAFT	735078008
3	5020601106	FEED BAR	735079009
4	5020601107	FEED BAR SHAFT	735080003
5	5020600138	SNAP RING E-4	000002507
6	5020600217	HEXAGON SOCKET SCREW 4x4	000111201
7	5020601108	FEED DOG	735081004
8	5020601109	SETSCREW	735082005
9	5020601110	FEED BAR SPRING	735083006
10	5020601111	FEED ROCK SHAFT CENTER	735084007
11	5020601112	FEED ROCK SHAFT CENTER PLATE	735085008
12	5020600205	SET SCREW 4x6	000101404
13	5020600959	FEED LIFTING ARM (UNIT)	301609018
14	5020600956	FEED LIFTING ARM	301027005
15	5020601442	FEED LIFTING PIN	739105007
16	5020601082	FEED LIFTING SPRING	730061003
17	5020601115	FEED LIFTING SHAFT	735090006
18	5020601142	DROP FEED SELECTING PLAT	740013001
19	5020600207	SET SCREW 4x12	000101703
20	5020601136	FEED LIFTING SHAFT HOLDER	739022009
21	5020600920	SETSCREW 4X6	000081119
22	5020601154	FEED ROD	743012009
23	5020601155	FEED ROD SPRING	743013000
24	5020600953	FEED REGULATOR SLIDE BLOCK	102141003
25	5020601100	FEED ROCK SHAFT CONNECTING	735071104
26	5020601122	RING	735276008

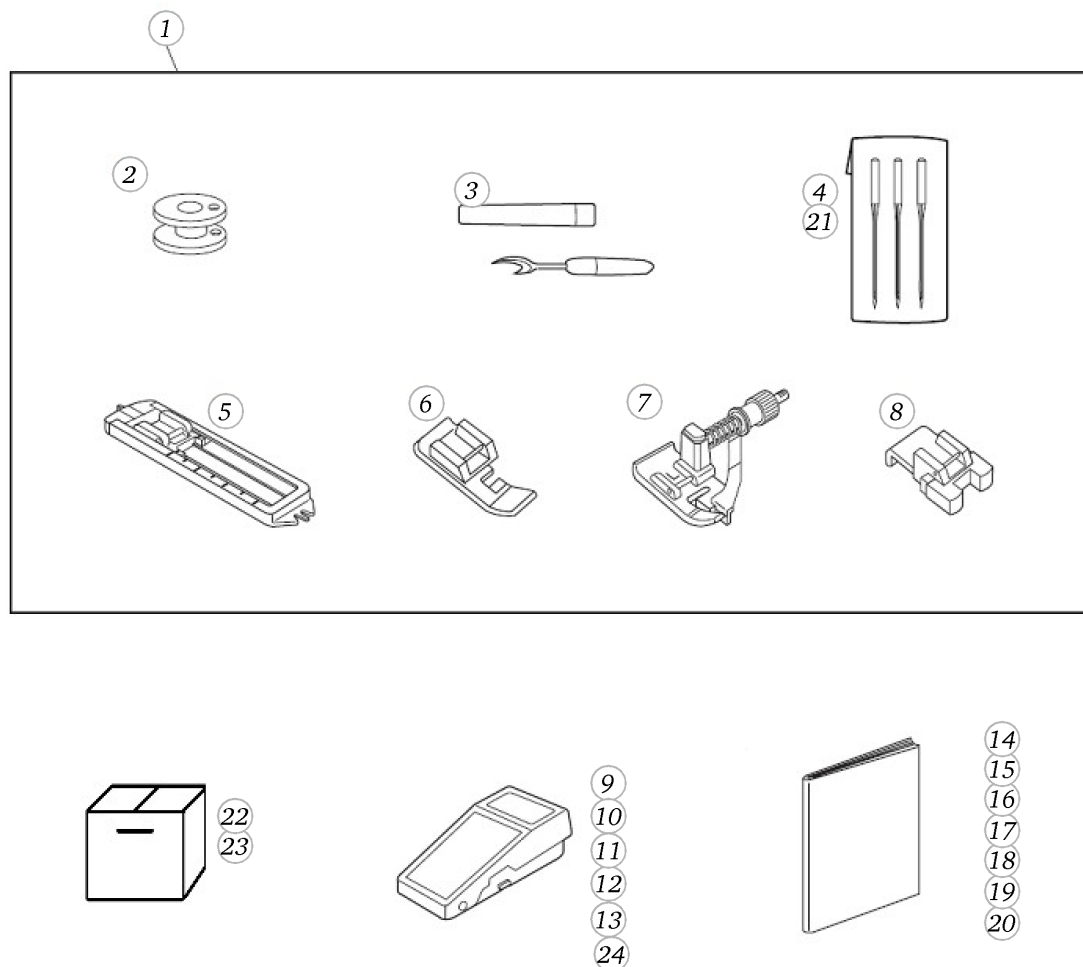


Motor

Pos	Item number	Description	Supplier Part no.
1-1	5020601443	MOTOR + ALL ASSEMB. (COMPLETE) USA [120V]	311631009
1-2	5020601473	MOTOR + ALL ASSEMB. (COMPLETE) EU [220-240V]	311610105
1-3	311610208	MACHINE SOCKET (WHOLE UNIT) [240V C-TIC]	
2-1	5020601444	Motor Assy unit 120V	743676007
2-2	5020601412	Motor Assy 220-240V	743671002
2-3	5020601413	Motor 240V AUS	743671013
3-1	5020601445	Motor with Pulley 120V	016612000
3-2	5020601460	Motor with pulley[220-240V]	025601007
3-2	5020601446	Motor unit NSB-60 FDM 230V	025601004
3-3	5020601447	Motor unit NSB-60 FDM 240V	025601015
4-1	5020601139	MACHINE SOCKET (UNIT)	739505702
4-2	739503308	MACHINE SOCKET (UNIT) [220-240V]	
5	5020601036	INSULATING PAPER	508134003
6-1	5020601430	PRINTED-CIRCUIT-BOARD-C (UNIT)	508512607
6-1	5020601479	PRINT CIRCUIT BOARD C (UNIT) 110V	508512010
6-2	5020601439	PCB C Unit 220-240V	508512102
7	5020600910	NUT 3-1-5.5	000060802
8	5020600155	SETSCREW 3 X 8	000120203
9	5020601035	MACHINE SOCKET COVER	508133002
10	5020600151	SETSCREW 3 X 10	000107802
11	5020601448	Face-plate set-plate	311029101
11	5020600982	LED SET PLATE	311029008
12	5020601038	LED HOLDER	508143005
13	5020601042	LED (UNIT)	508515105
14	5020600149	SETSCREW 4X10	000103509
15	5020600146	SET SCREW 4 X 8	000081005
16	5020600200	Wire tie band	000053008
17	5020600933	SETSCREW TP 5X10	000115504
18	5020601067	MOTOR TIMING BELT	650166008

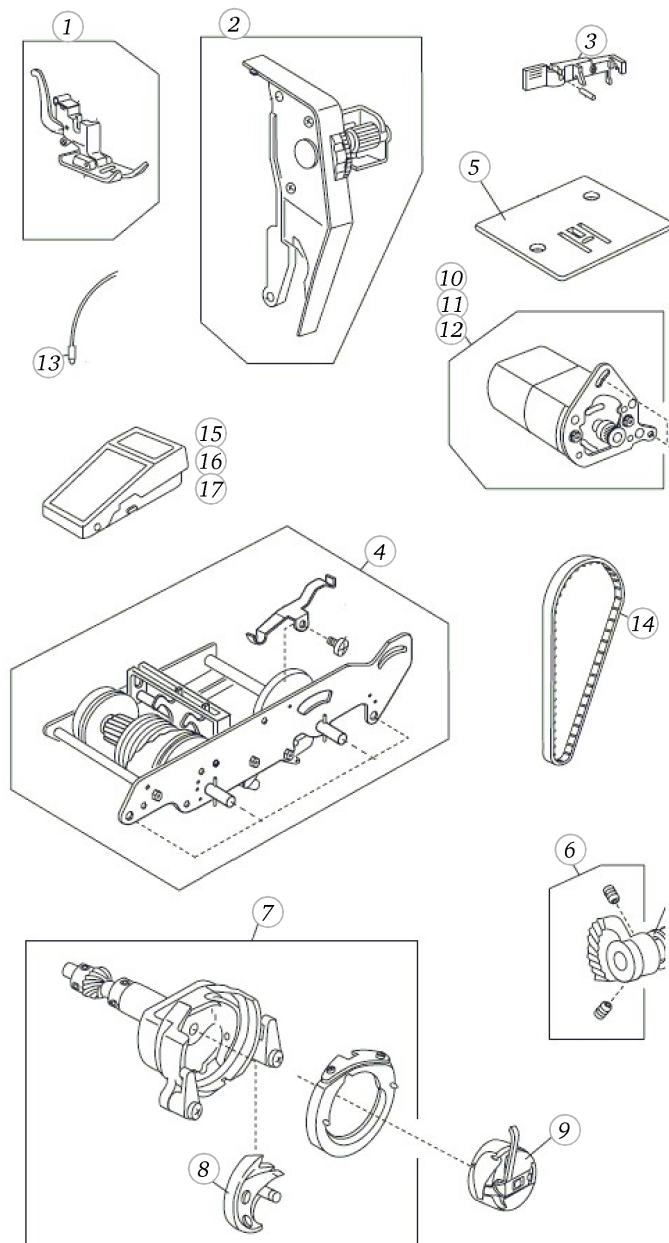
# b33

# Accessories



Pos	Item number	Description	Supplier Part no.
1	5020601016	STANDARD ACCESSORIES (UNIT)	311870079
2	5020600954	BOBBIN	102261000
3	5020601065	SEAM RIPPER (BUTTONHOLE OPENER)	647808009
4	0027217000	NEEDLE ASSORTMENT 5 NEEDLES	
5	5020601353	Buttonhole foot with slide p	202340007
6	5020601360	Zipper foot packed	202347004
7	5020601364	Blindstitch foot packed	202351001
8	5020601356	Button-sew-on foot packed	202343000
9	5020600888	Foot Controller B33/B35 US	000001028
10	5020600891	Foot Controller B33/B35 EU	045501005
11	5020600892	Fussanlasser b33/b35 AU/NZ	045501016
12	5020600893	Fussanlasser b33/b35 GB	045501027
13	5020600894	Fussanlasser b33/b35 JP	034970201
14	5060003.0.04	INSTRUCTION MANUAL b33 (ENGLISH)	
15	5060003.0.01	INSTRUCTION MANUAL b33 (GERMAN)	
16	5060003.0.05	INSTRUCTION MANUAL b33 (DUTCH)	
17	5060003.0.03	INSTRUCTION MANUAL b33 (ITALIAN)	
18	5060003.0.02	INSTRUCTION MANUAL b33 (FRENCH)	
19	5060003.0.18	INSTRUCTION MANUAL b33 (RUSSIAN)	
20	5060003.0.11	INSTRUCTION MANUAL b33 (SPANISH)	
21	639804000	ASSORTED NEEDLE SET (ORGAN)	
22	5020600882	Color carton b33	C2113NOUSA
23	5020601441	Styrofoam b33/b35	F311NOUNT
24	5020601470	Foot Controller b33/b35 India	045501072

# b33



## Recommended Spare Parts

Pos	Item number	Description	Supplier Part no.
1	5020600960	PRESSER FOOT (UNIT)	301612003
2	5020601003	TENSION ASSEMBLY (UNIT)	311505003
3	5020601058	NEEDLE THREADER PLATE (UNIT)	639643009
4	5020601168	ZIGZAG MECHANISM (UNIT)	745606105
5	5020601164	NEEDLE PLATE	744004001
6	5020601127	LOWER SHAFT GEAR (UNIT)	735950003
7	5020601124	SHUTTLE RACE BODY (UNIT)	735610101
8	5020601046	SHUTTLE HOOK	532096007
9	5020601063	BOBBIN CASE (UNIT)	647515006
10	5020601160	MOTOR-ASSY (UNIT)	743612005
10	5020601444	Motor Assy unit 120V	743676007
10	5020601444	Motor Assy unit 120V	743676007
11	5020601412	Motor Assy 220-240V	743671002
12	5020601413	Motor 240V AUS	743671013
13	5020601042	LED (UNIT)	508515105
14	5020601067	MOTOR TIMING BELT	650166008
15	5020600891	Foot Controller B33/B35 EU	045501005
16	5020600892	Fussanlasser b33/b35 AU/NZ	045501016
17	5020600888	Foot Controller B33/B35 US	000001028